

1 UPS 40-80 F 250



: 95906462

TF

: -25 .. 110 °C
 : 60 °C
 983.2 / 3

110
 : EAC

EN-JL1030
 ASTM 30 B
 , PES/PP

.T : - 80 0C: 40 °C

10
 DIN
 DN 40
 PN 6
 250

1: 135

2: 200

: 220

: 50 Hz

: 1 x 230

1: 0.6 A

2: 0.9 A

3: 0.98 A

- : 4

(IEC 34-5): X2D

(IEC 85): F

: 8.1

: 8.5

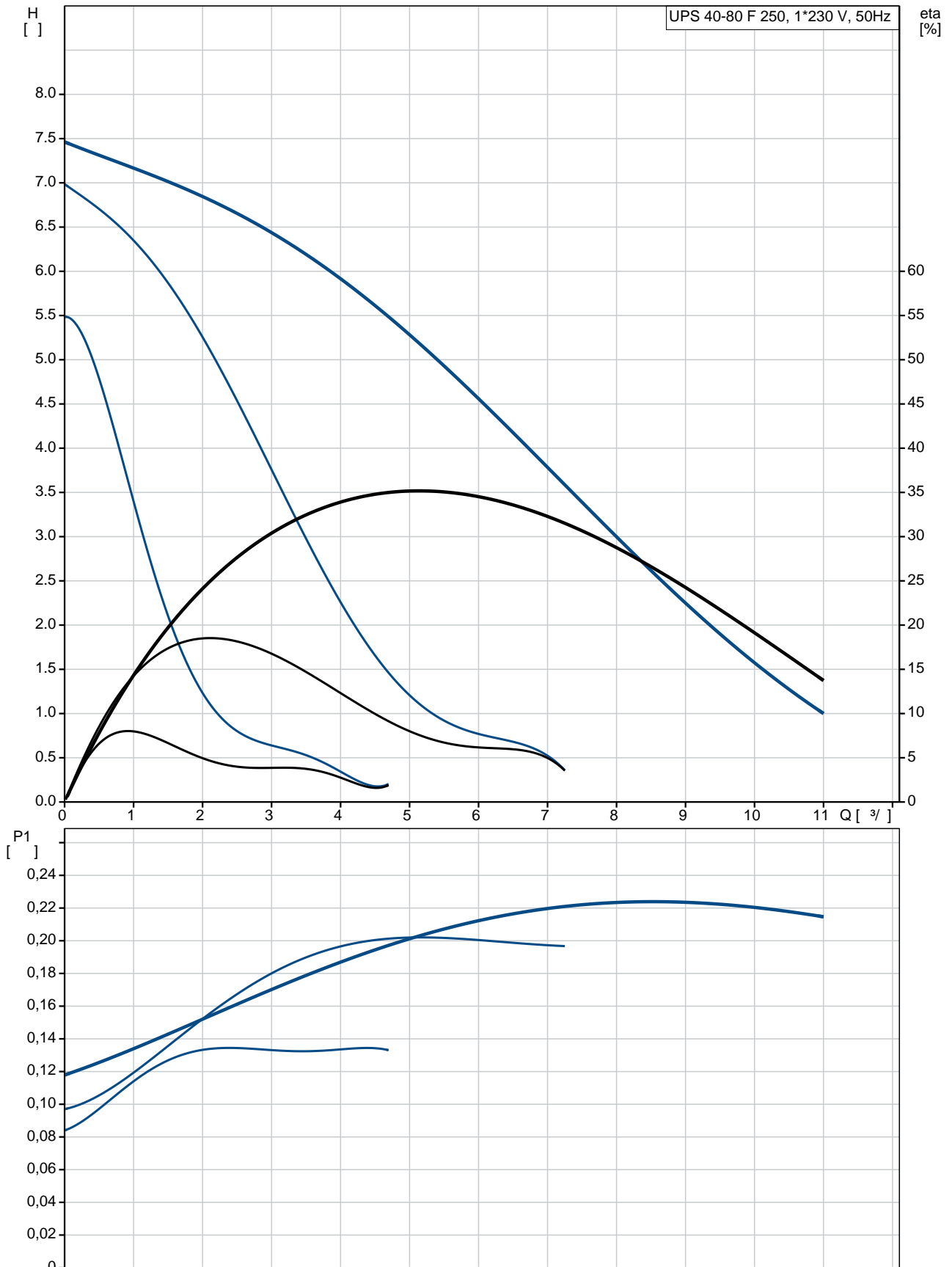
: 0.011 ³

: RS

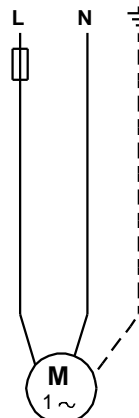
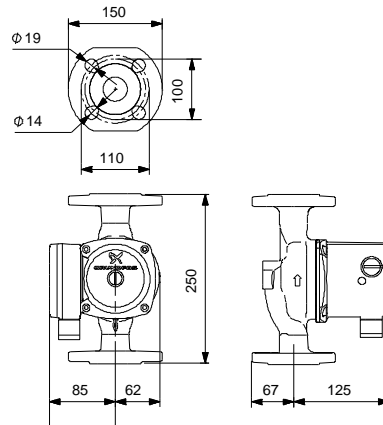
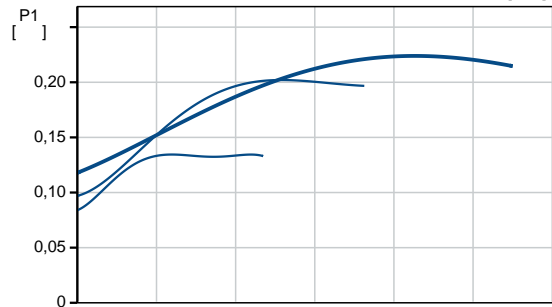
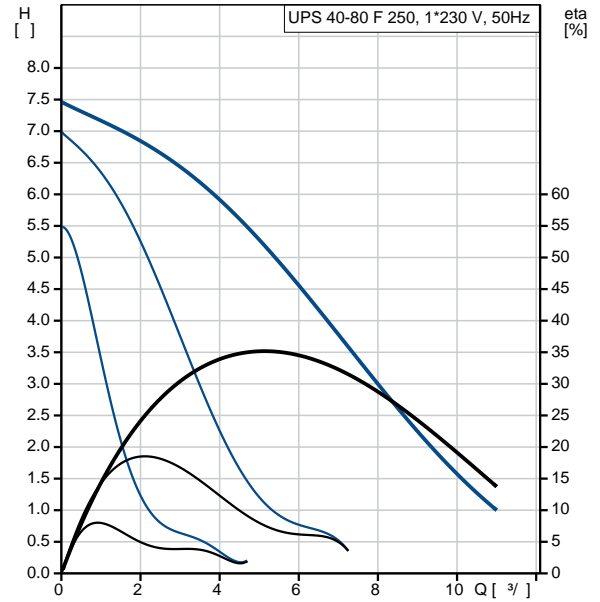
: 8413703000

C

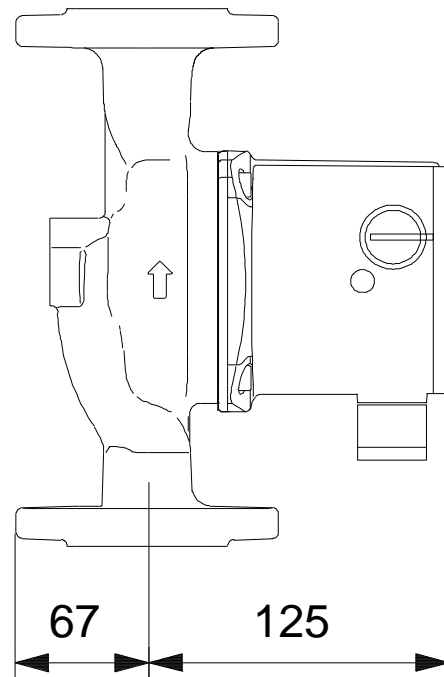
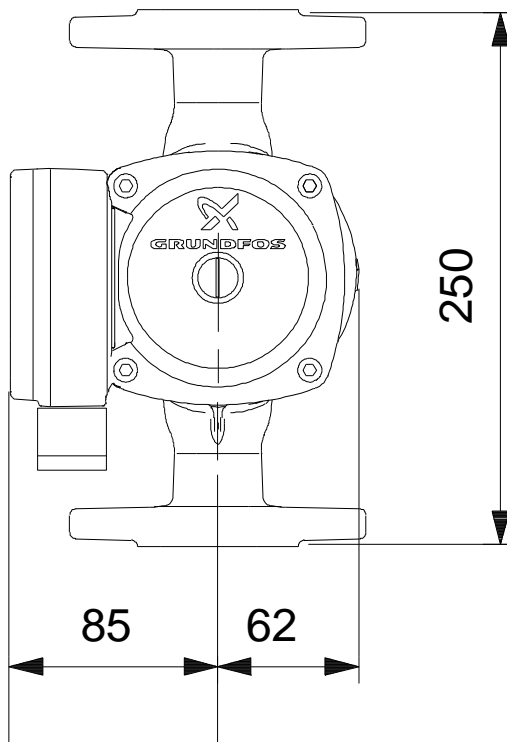
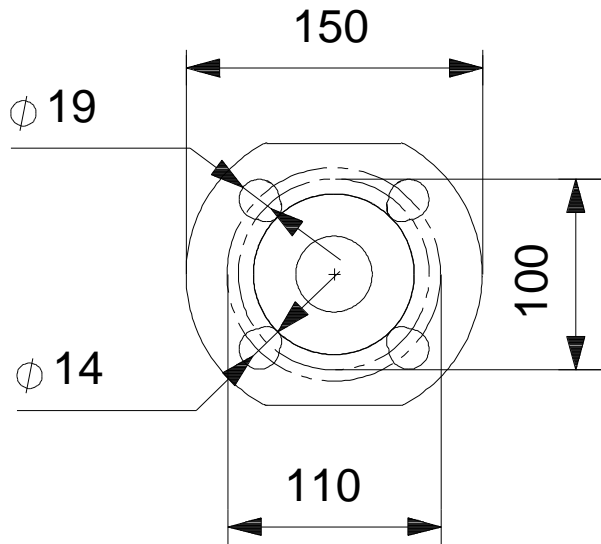
95906462 UPS 40-80 F 250 50



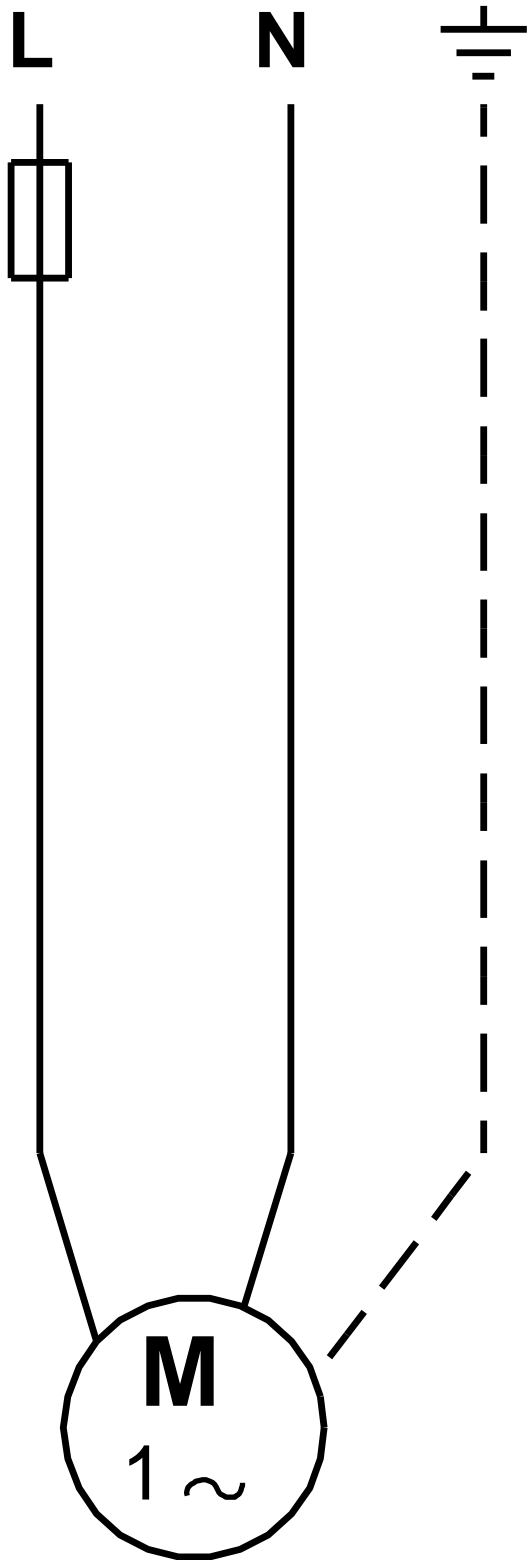
		UPS 40-80 F 250
		95906462
EAN		5700310459516
		3
		80
TF		110
		EAC
		EN-JL1030
		ASTM 30 B
		, PES/PP
		40 °C
80 OC:		10
		DIN
		DN 40
		PN 6
		250
		-25 .. 110 °C
		60 °C
		983.2 / 3
		1: 135
		2: 200
		220
		50 Hz
		1 x 230
	1:	0.6 A
	2:	0.9 A
	3:	0.98 A
		4
	(IEC 34-5):	X2D
	(IEC 85):	F
		CONTACT
		9H
		8.1
		8.5
		0.011 3
C		RS
		8413703000



95906462 UPS 40-80 F 250 50



95906462 UPS 40-80 F 250 50



! [], .