

1 UPS 25-80 N 180



: 95906439

, PES/PP.

: -25 .. 110 °C
 : 60 °C
 983.2 / ³

TF : 110
 : CE,EAC,WEEE

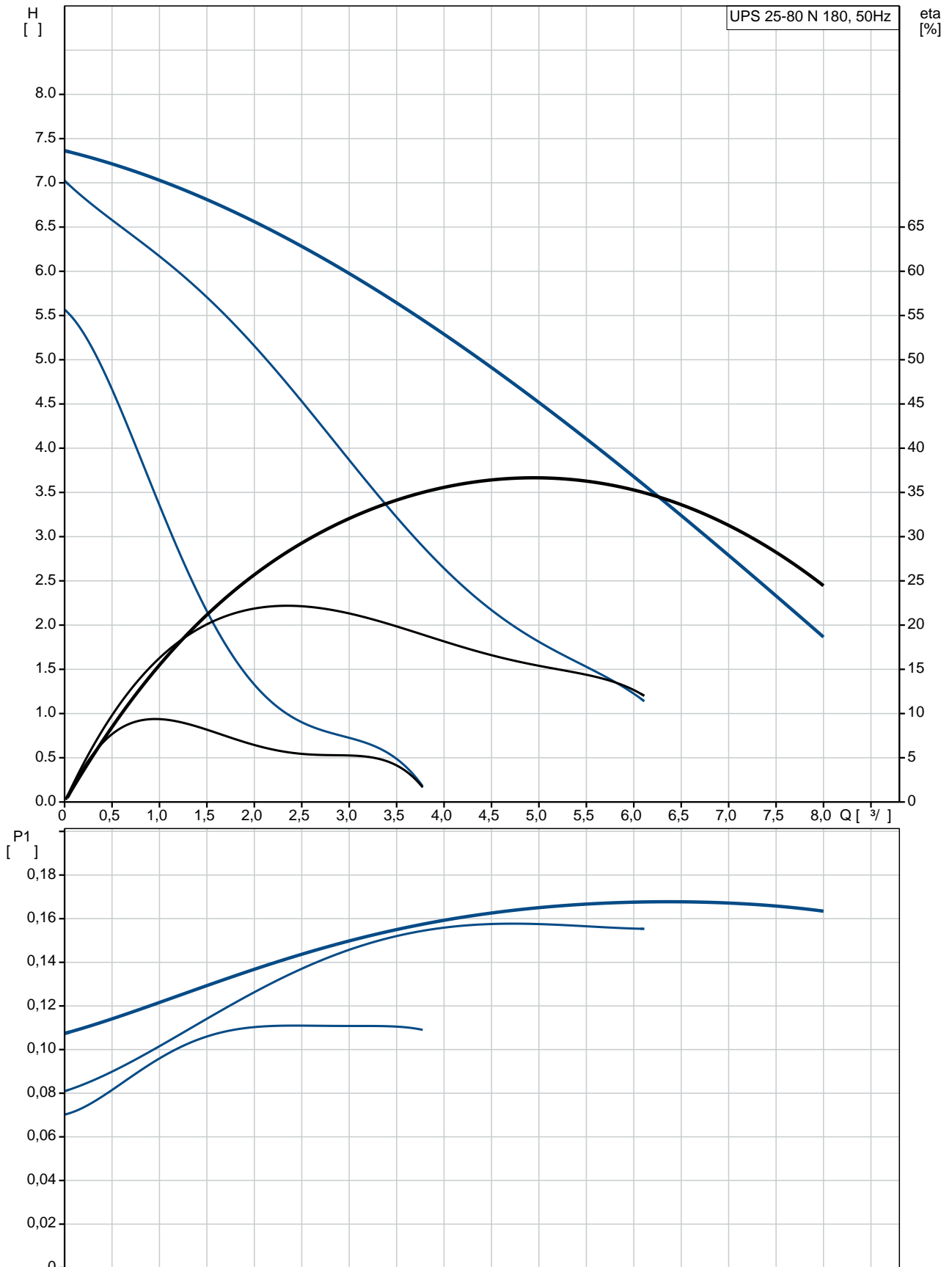
DIN W.-Nr. 1.4301
 AISI 304
 , PES/PP

.T : - 80 0C: 40 °C
 : 10
 : G 1 1/2
 : PN 10
 : 180

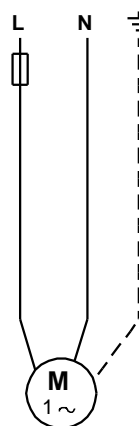
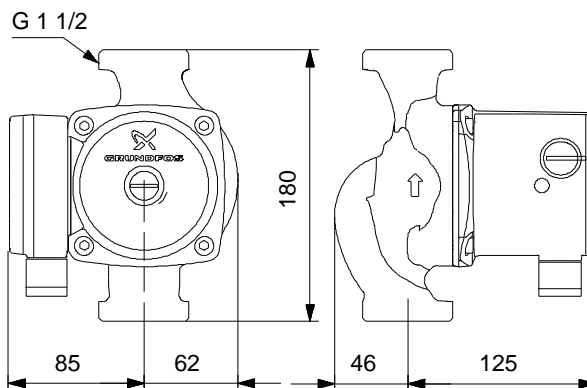
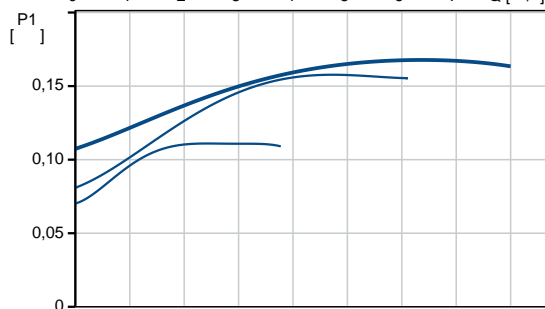
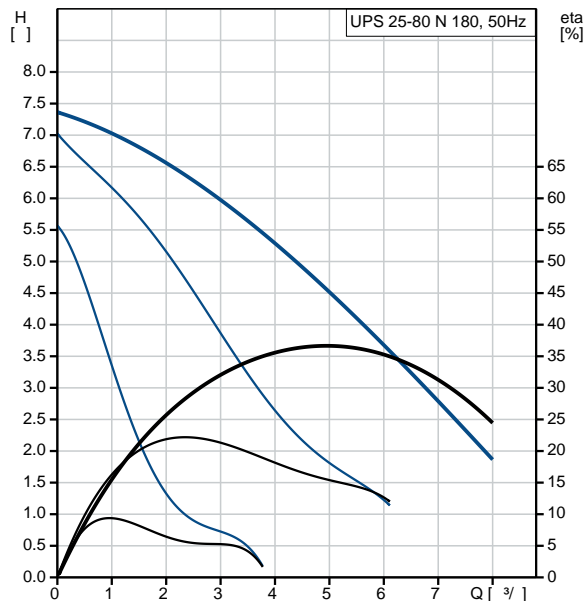
1: 110
 2: 155

: 165
: 50 Hz
: 1 x 230
1: 0.5 A
2: 0.7 A
3: 0.7 A
- : 4
(IEC 34-5): X2D
(IEC 85): F
: 4.4
: 5.2
: 0.008 ³
Danish VVS No.: 380633100
Swedish RSK No.: 5803099
Finnish LVI No.: 4615614
Norwegian NRF no.: 9042217
C : RS
: 8413703000

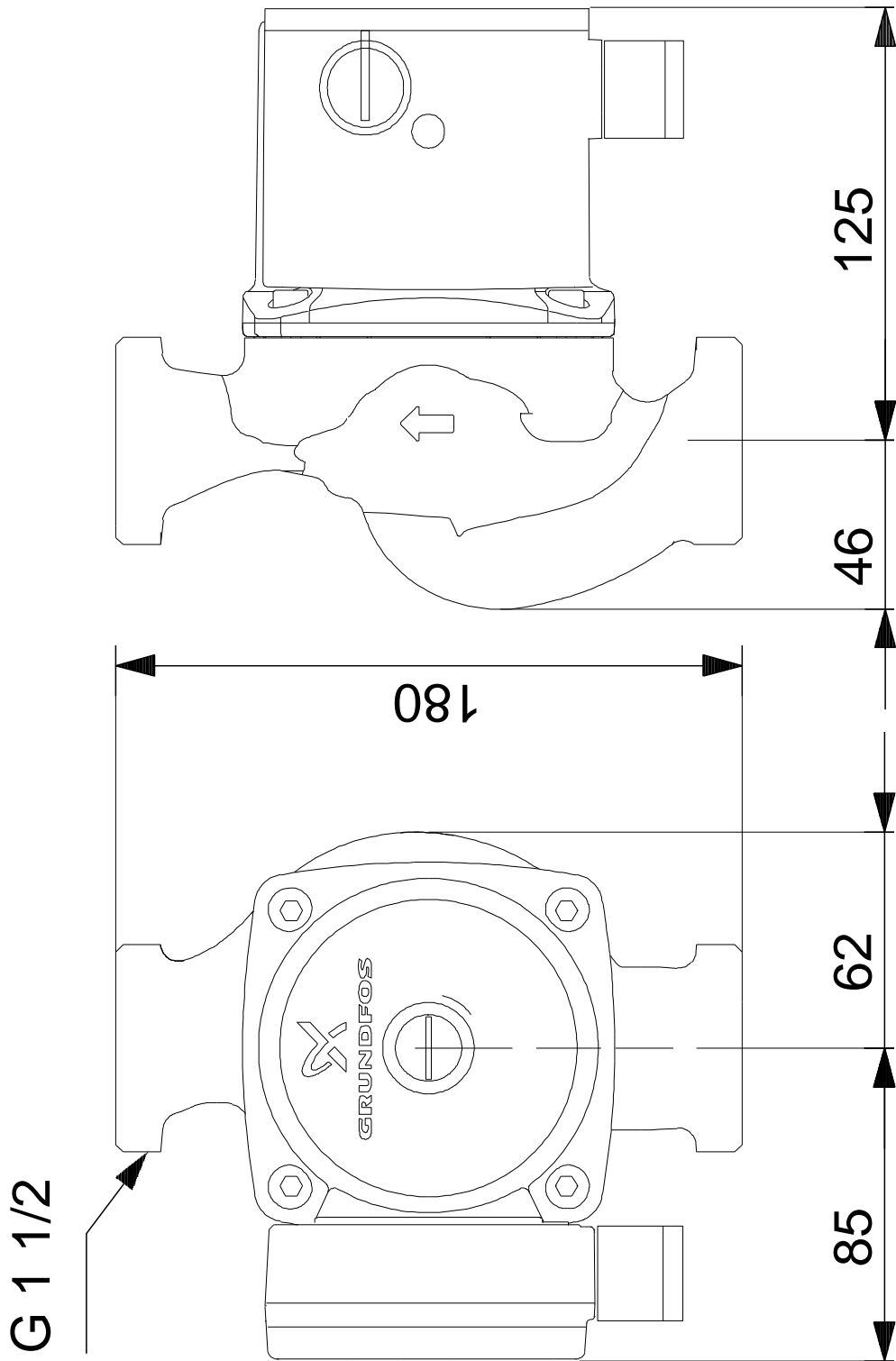
95906439 UPS 25-80 N 180 50



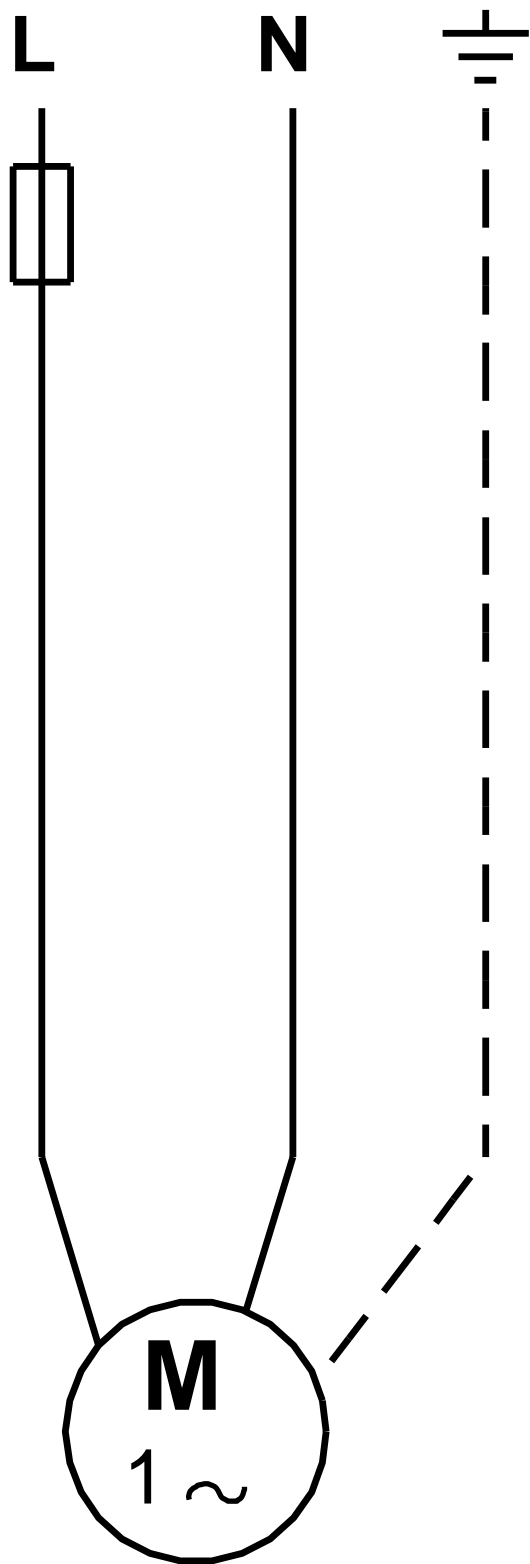
UPS 25-80 N 180	
EAN	95906439
	5700310346588
TF	3
	80
	110
	CE,EAC,WEEE
	DIN W.-Nr. 1.4301
	AISI 304
	, PES/PP
80 OC:	40 °C
	10
	G 1 1/2
	PN 10
	180
	-25 .. 110 °C
	60 °C
	983.2 / 3
	1: 110
	2: 155
	165
	50 Hz
	1 x 230
	1: 0.5 A
	2: 0.7 A
3:	0.7 A
	4
(IEC 34-5):	X2D
(IEC 85):	F
	CONTACT
	9H
	4.4
	5.2
	0.008 3
Danish VVS No.:	380633100
Swedish RSK No.:	5803099
Finnish LVI No.:	4615614
Norwegian NRF no.:	9042217
C	RS
	8413703000



95906439 UPS 25-80 N 180 50



95906439 UPS 25-80 N 180 50



! [], .