

1 UPS 25-55 N 180



: 95906408

, PES/PP.

: -25 .. 110 °C  
 : 60 °C  
 983.2 / 3

TF : 110  
 : CE,EAC,WEEE

DIN W.-Nr. 1.4301  
 AISI 304  
 , PES/PP

.T : - 80 0C: 40 °C

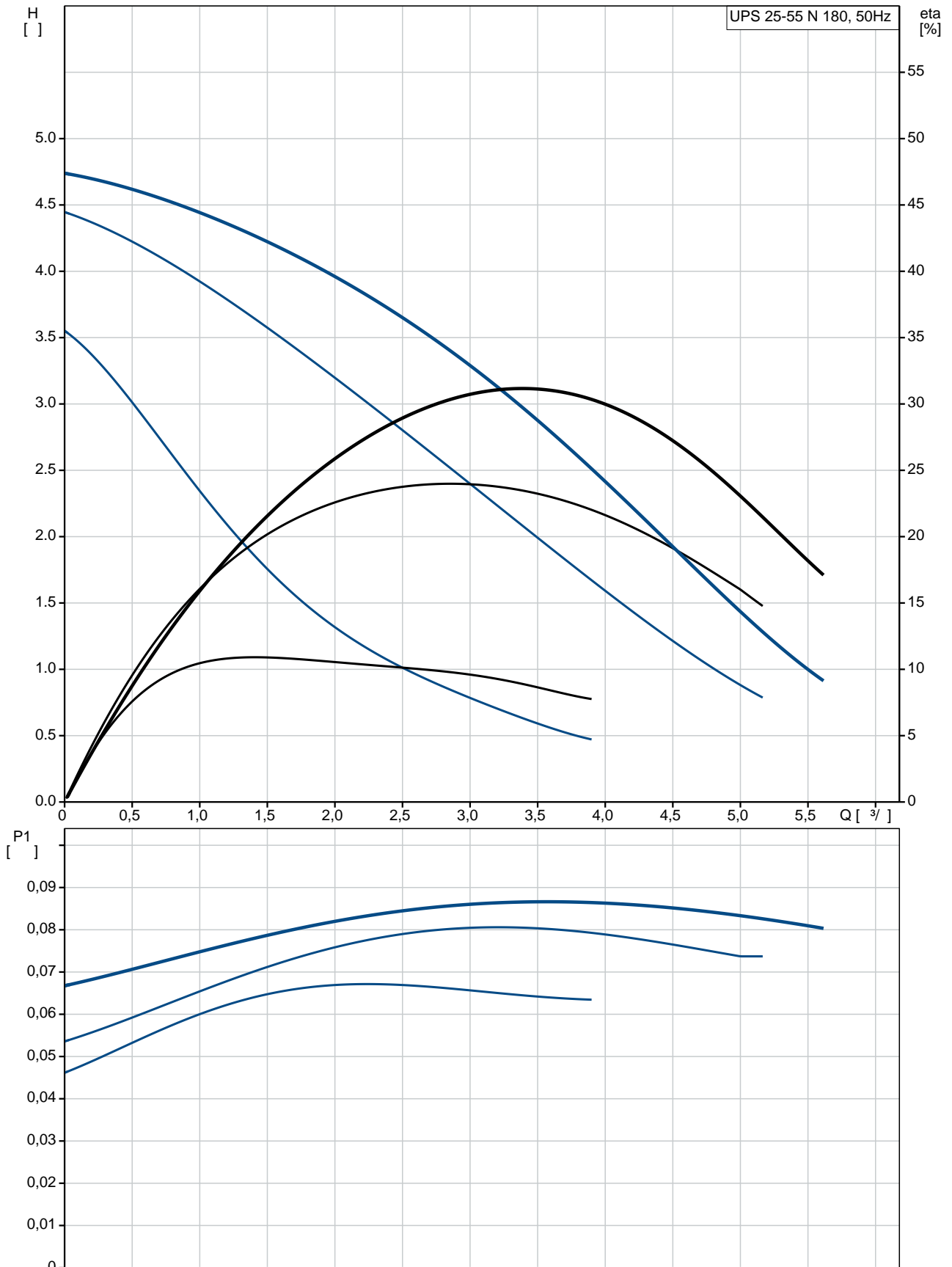
10  
 G 1 1/2  
 PN 10  
 180

1: 65  
 2: 80

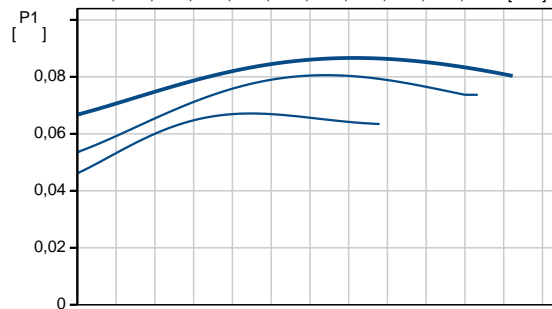
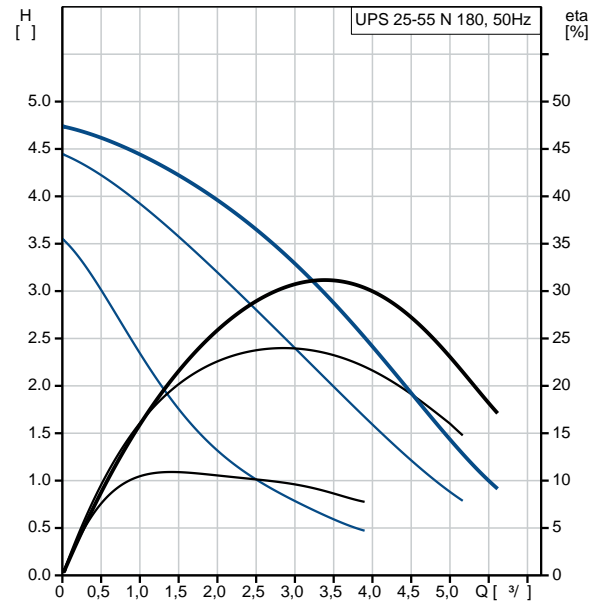
: 85  
: 50 Hz  
: 1 x 230  
1: 0.3 A  
2: 0.36 A  
3: 0.38 A  
- : 2.5  
(IEC 34-5): X2D  
(IEC 85): F

: 4.7  
: 5.4  
: 0.008 <sup>3</sup>  
Finnish LVI No.: 4615613

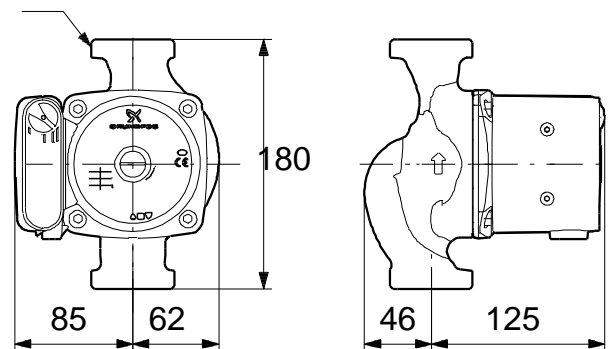
## 95906408 UPS 25-55 N 180 50



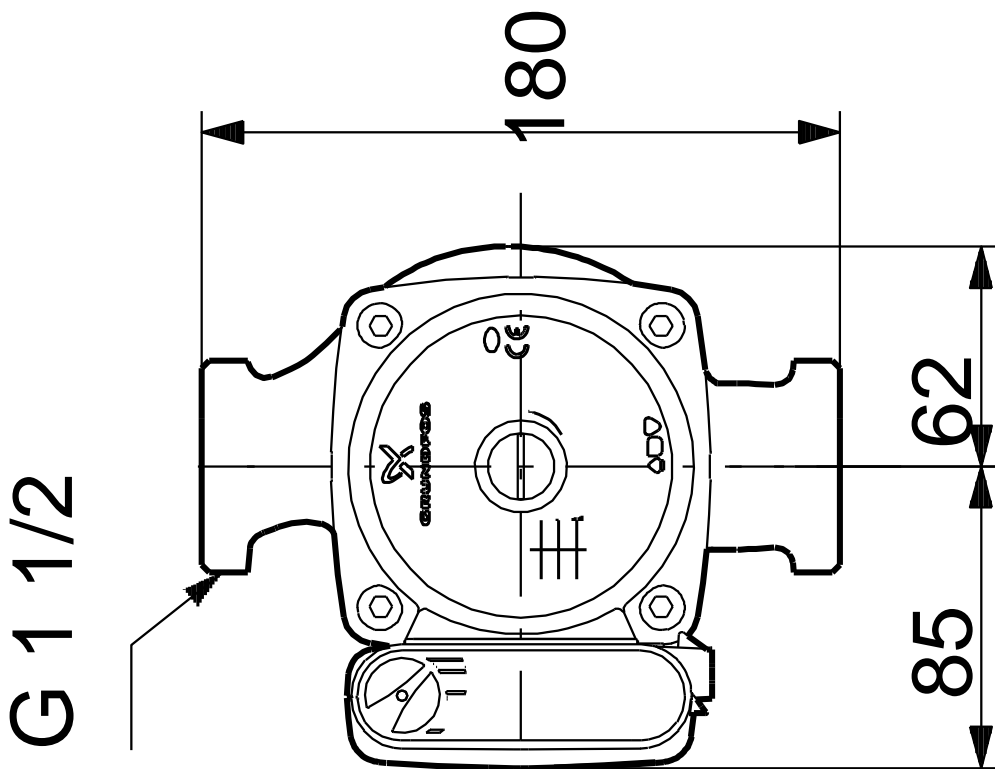
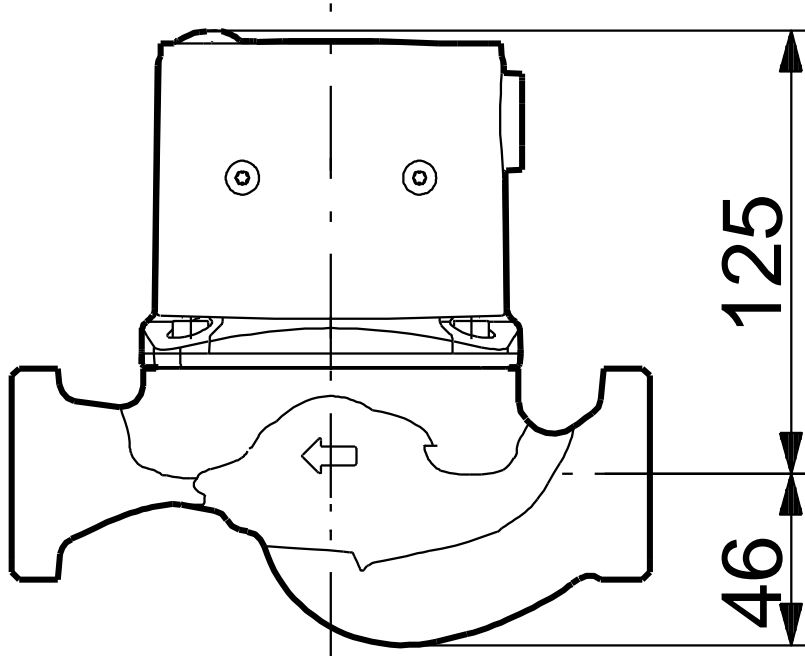
		UPS 25-55 N 180
		95906408
EAN		5700310298702
		3
		55
TF		110
		CE,EAC,WEEE
		DIN W.-Nr. 1.4301
		AISI 304
		, PES/PP
80 OC:		40 °C
		10
		G 1 1/2
		PN 10
		180
		-25 .. 110 °C
		60 °C
		983.2 / 3
		1: 65
		2: 80
		85
		50 Hz
		1 x 230
	1:	0.3 A
	2:	0.36 A
	3:	0.38 A
		2.5
	(IEC 34-5):	X2D
	(IEC 85):	F
		CONTACT
		9H
		4.7
		5.4
		0.008 3
Finnish LVI No.:		4615613



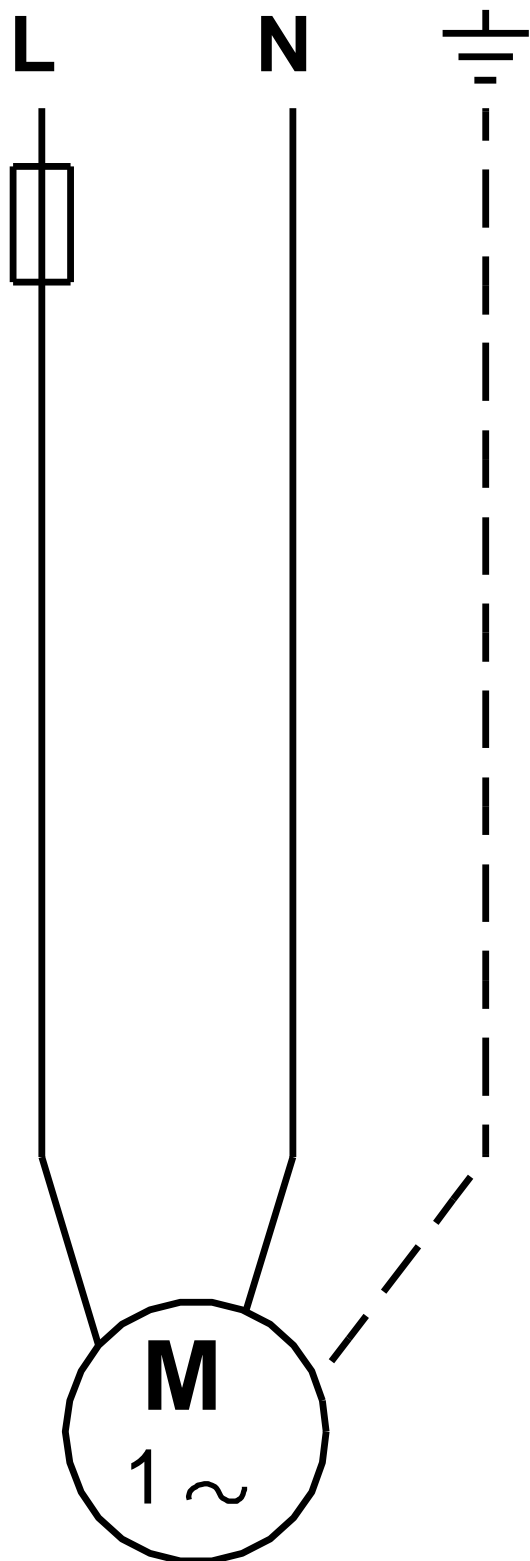
G 1 1/2



**95906408 UPS 25-55 N 180 50**



**95906408 UPS 25-55 N 180 50**



! [ ], .