

1 Unilift KP 350 M 1



: 013N1300

10

: 0 .. 50 °C  
998.2 / 3

: 10

DIN W.-Nr. 1.4301  
AISI 304

DIN W.-Nr. 1.4031  
AISI 304

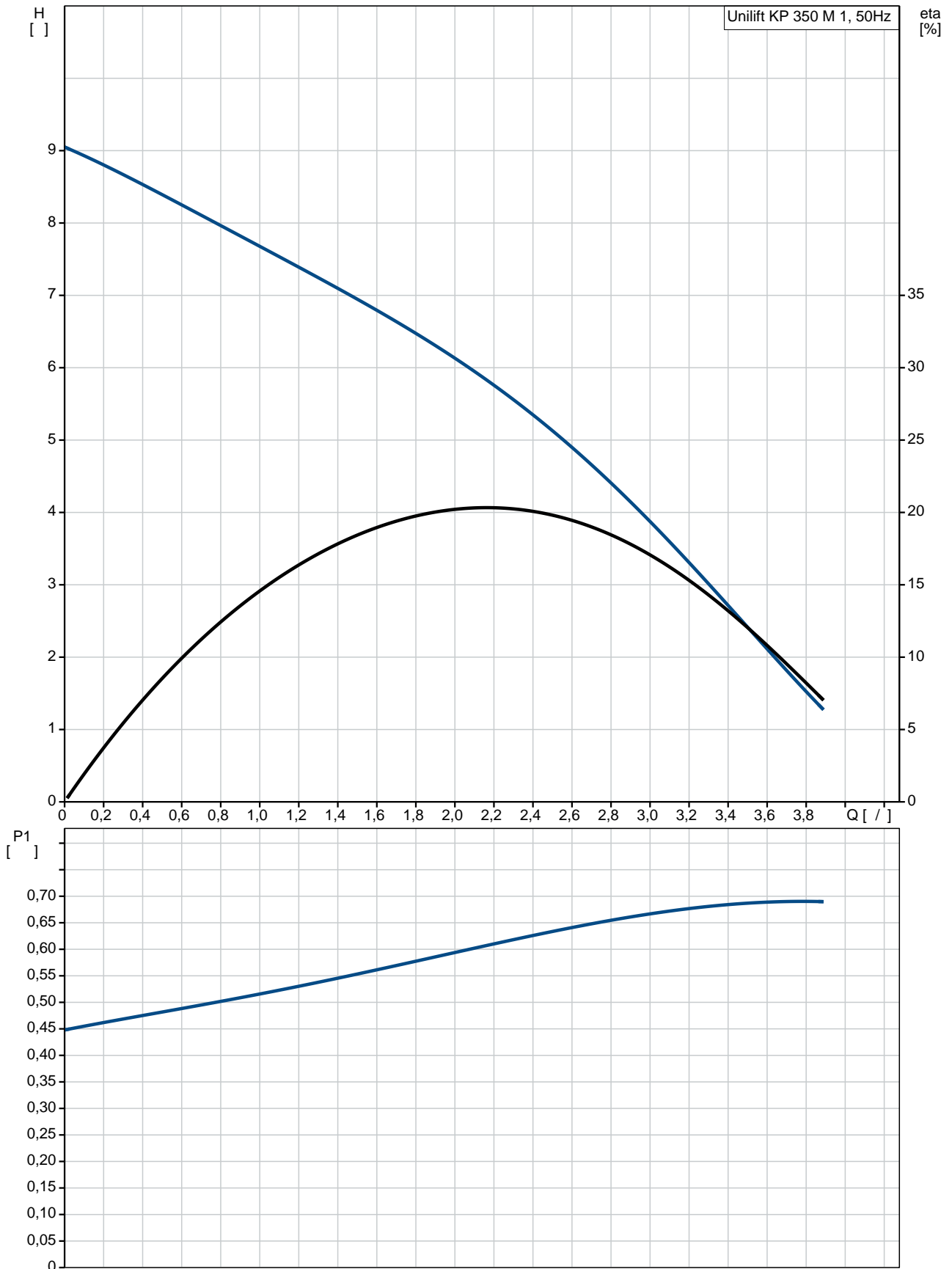
Rp 1 1/4  
: 7

- P1: 700  
: 50 Hz  
: 1 x 220-240  
: 3.2 A  
: 10 /400  
(IEC 34-5): IP68  
(IEC 85): F  
: 10  
: SCHUKO

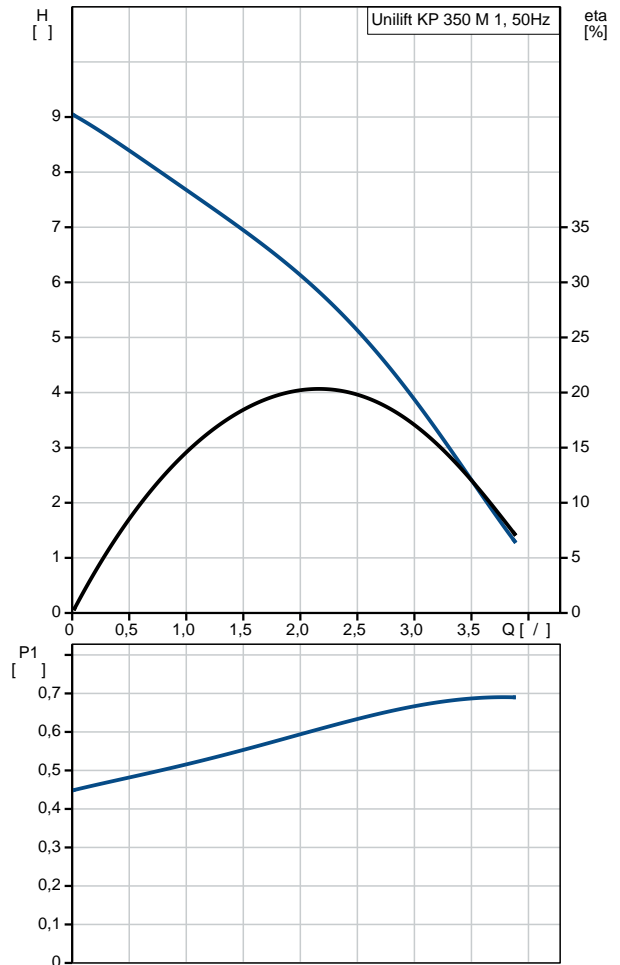
8  
8.1  
0.013 <sup>3</sup>

Danish VVS No.: 391214035  
Swedish RSK No.: 5885707  
Finnish LVI No.: 4822558  
Norwegian NRF no.: 9040796  
C : HU  
: 8413702100

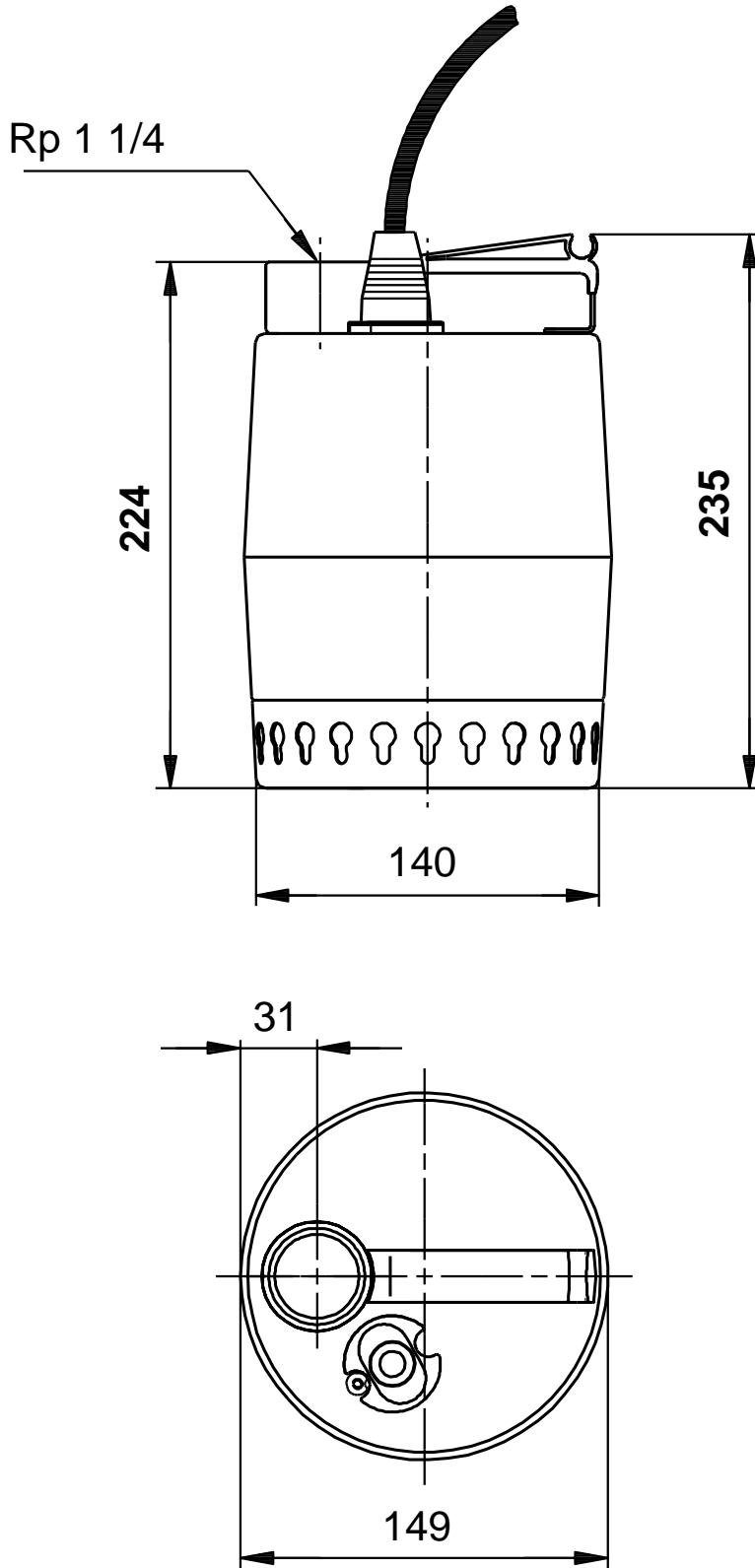
## 013N1300 Unilift KP 350 M 1 50



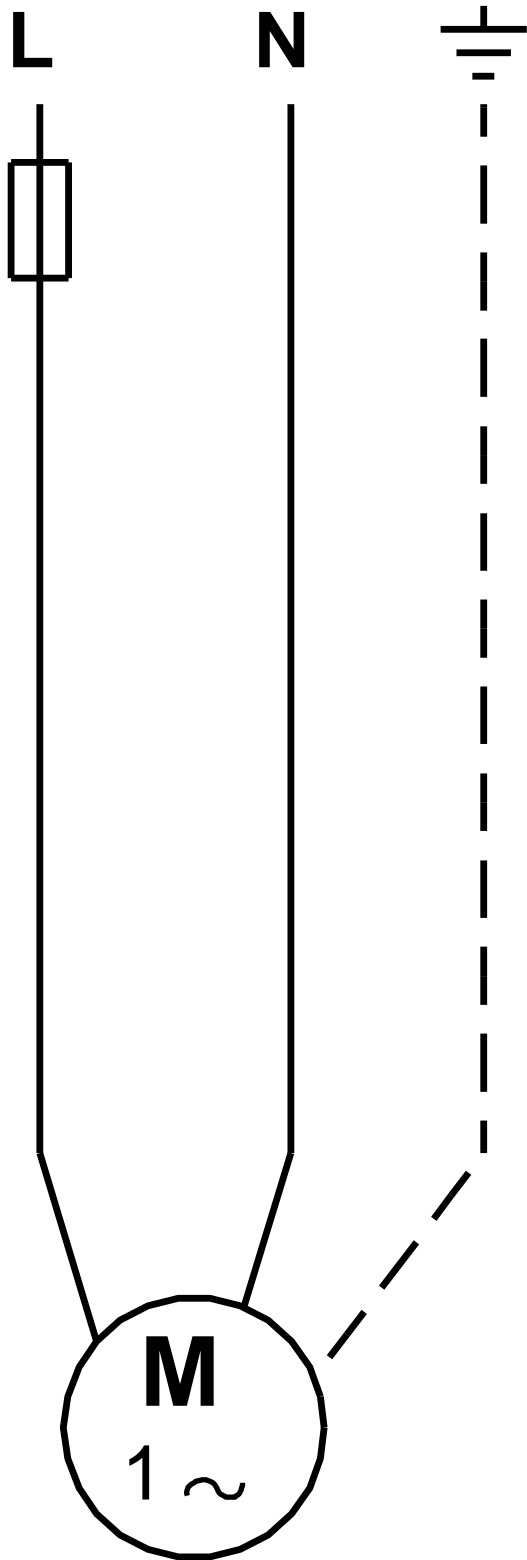
Unilift KP 350 M 1	
013N1300	
EAN	5700393433182
UER 290	
Maximum flow:	3.89 /
Ma	3.89 /
9	
10	
A	
DIN W.-Nr. 1.4301	
AISI 304	
DIN W.-Nr. 1.4031	
AISI 304	
Rp 1 1/4	
7	
0 .. 50 °C	
998.2 / <sup>3</sup>	
- P1:	700
50 Hz	
1 x 220-240	
3.2 A	
10 /400	
(IEC 34-5):	IP68
(IEC 85):	F
CONTACT	
10	
SCHUKO	
8	
8.1	
0.013 <sup>3</sup>	
Danish VVS No.:	391214035
Swedish RSK No.:	5885707
Finnish LVI No.:	4822558
Norwegian NRF no.:	9040796
C	HU
8413702100	



## 013N1300 Unilift KP 350 M 1 50



**013N1300 Unilift KP 350 M 1 50**



! [ ], .