

1 Unilift KP 250 M 3



: 012M6300

10

: 0..50 °C
998.2 / 3

: 10

DIN W.-Nr. 1.4301
AISI 304

DIN W.-Nr. 1.4031

AISI 304

Rp 1 1/4
: 7

- P1: 480

: 50 Hz

: 3 x 380-415

0.8 A

(IEC 34-5): IP68

(IEC 85): F

10

NONE

7

7.5

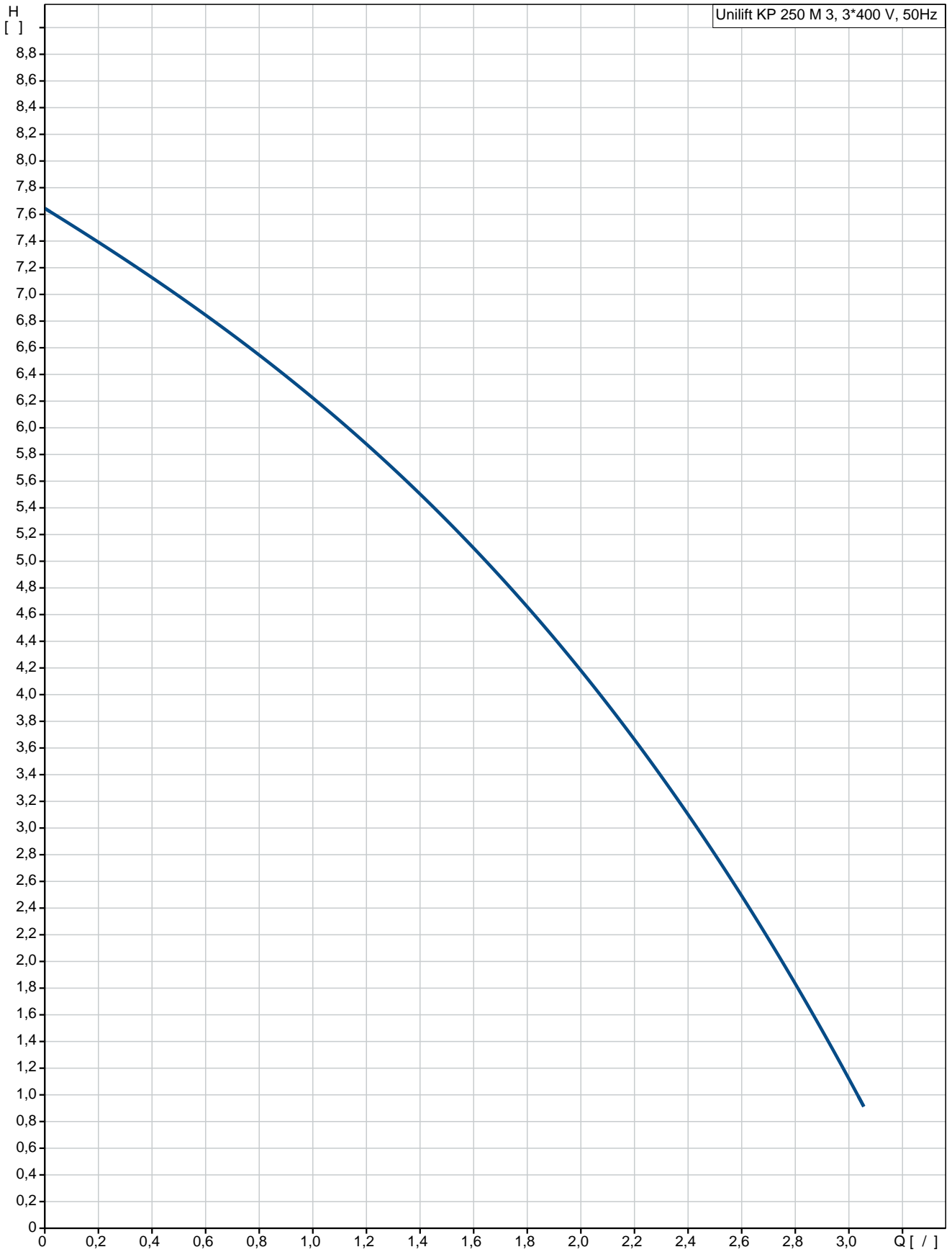
0.013 ³

Danish VVS No.: 391216025

Swedish RSK No.: 5885735

Finnish LVI No.: 4822560

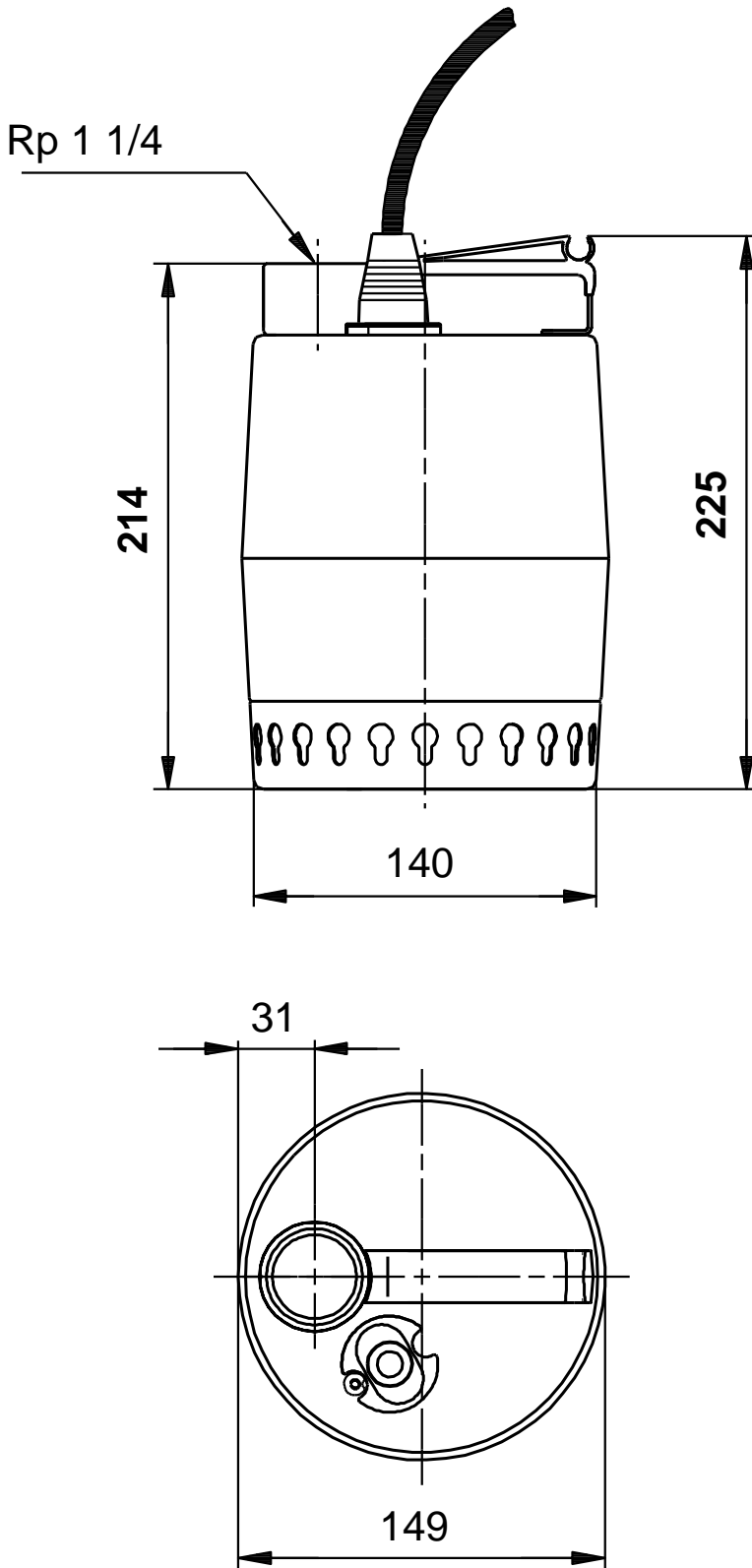
012M6300 Unilift KP 250 M 3 50



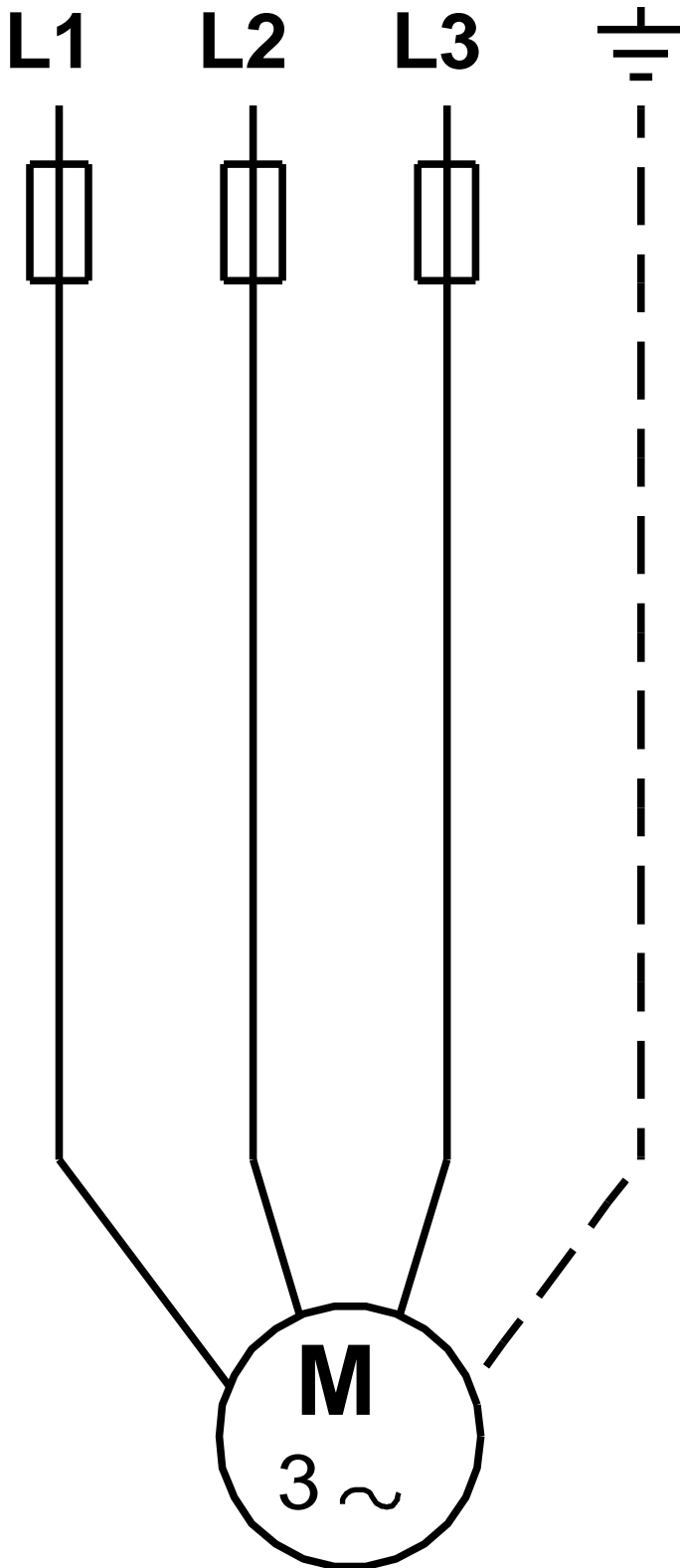
	Unilift KP 250 M 3
	012M6300
EAN	5700391117343
Maximum flow:	3.33 /
Ma	3.33 /
	8
	10
	A
	DIN W.-Nr. 1.4301
	AISI 304
	DIN W.-Nr. 1.4031
	AISI 304
	Rp 1 1/4
	7
	0 .. 50 °C
	998.2 / ³
- P1:	480
	50 Hz
	3 x 380-415
	0.8 A
(IEC 34-5):	IP68
(IEC 85):	F
	CONTACT
	10
	NONE
	7
	7.5
	0.013 ³
Danish VVS No.:	391216025
Swedish RSK No.:	5885735
Finnish LVI No.:	4822560



012M6300 Unilift KP 250 M 3 50



012M6300 Unilift KP 250 M 3 50



! [], .