

1 Unilift KP 250 M 1



: 012H1300

10

: 0 .. 50 °C
998.2 / 3

: 10

DIN W.-Nr. 1.4301
AISI 304

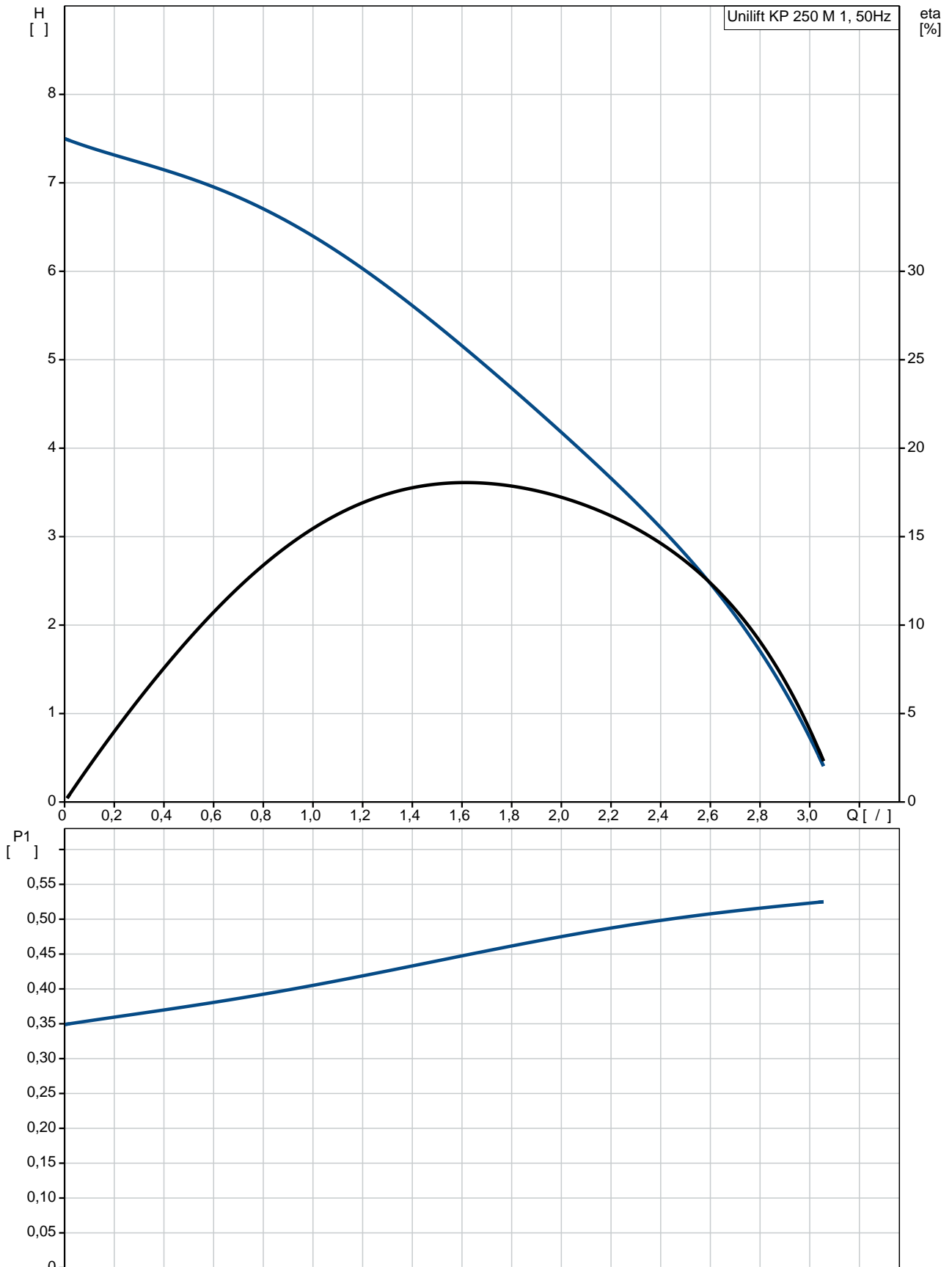
DIN W.-Nr. 1.4031
AISI 304

Rp 1 1/4
: 7

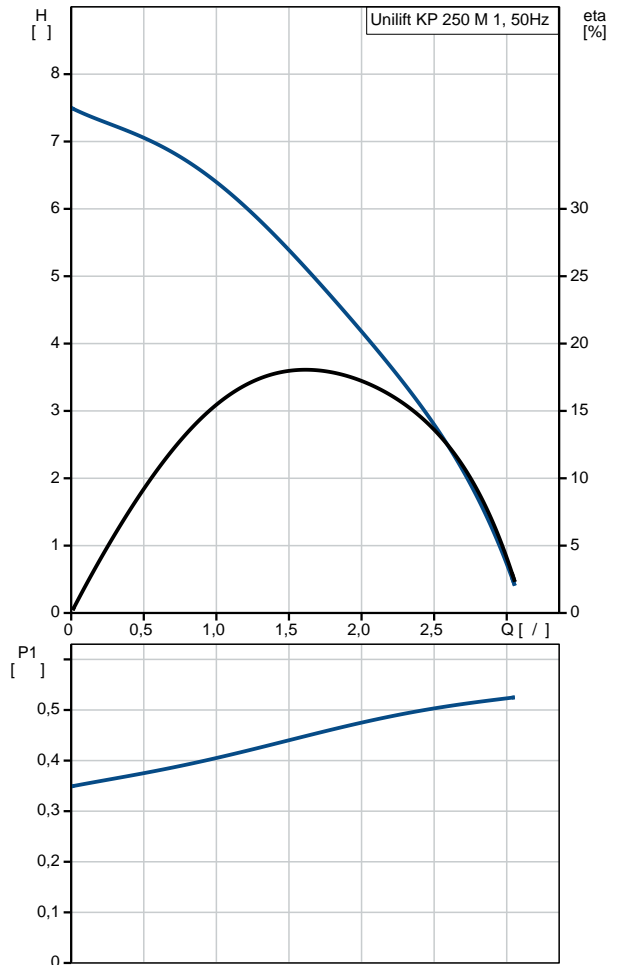
- P1: 480
: 50 Hz
: 1 x 220-230
: 2.3 A
- : 8 /400
(IEC 34-5): IP68
(IEC 85): F
: 10
: SCHUKO

7
: 7.3
: 0.013 ³
Danish VVS No.: 391214025
Swedish RSK No.: 5885709
Finnish LVI No.: 4822505
Norwegian NRF no.: 9040794
C : HU
: 8413702100

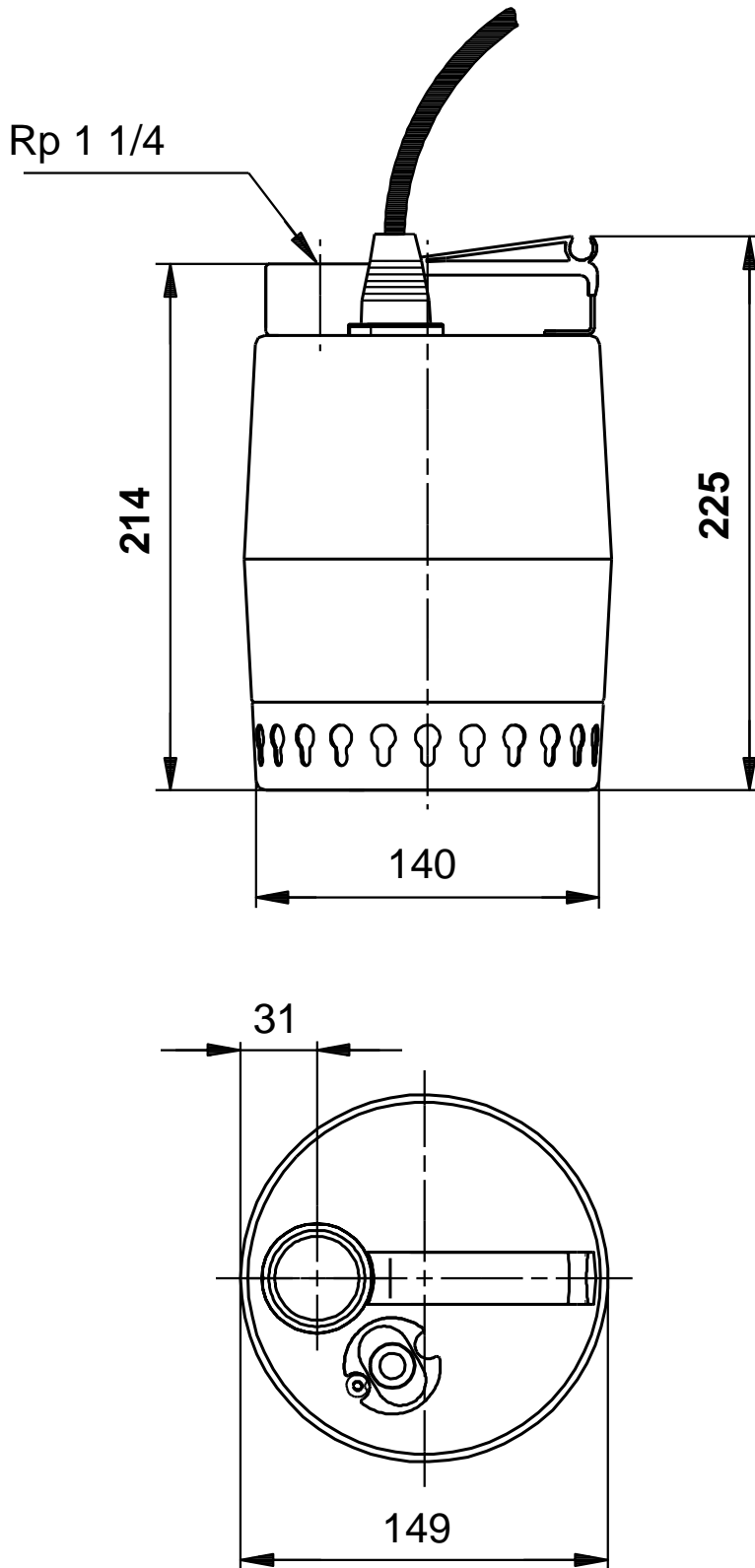
012H1300 Unilift KP 250 M 1 50



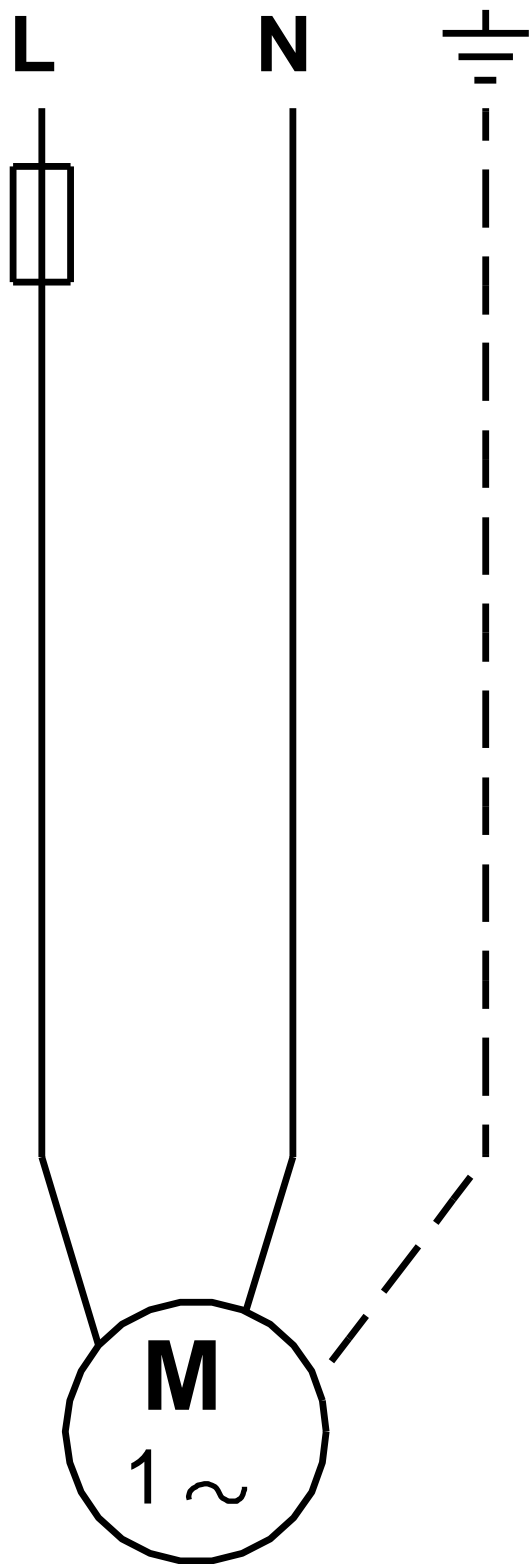
	Unilift KP 250 M 1
	012H1300
EAN	5700391116506
	UER 230
Maximum flow:	3.11 /
Ma	3.11 /
	7.5
	10
	A
	DIN W.-Nr. 1.4301
	AISI 304
	DIN W.-Nr. 1.4031
	AISI 304
	Rp 1 1/4
	7
	0 .. 50 °C
	998.2 / ³
- P1:	480
	50 Hz
	1 x 220-230
	2.3 A
	8 /400
(IEC 34-5):	IP68
(IEC 85):	F
	CONTACT
	10
	SCHUKO
	7
	7.3
	0.013 ³
Danish VVS No.:	391214025
Swedish RSK No.:	5885709
Finnish LVI No.:	4822505
Norwegian NRF no.:	9040794
C	HU
	8413702100



012H1300 Unilift KP 250 M 1 50



012H1300 Unilift KP 250 M 1 50



! [], .