

1 Unilift KP 150 M 1



: 011H1300

10

: 0 .. 50 °C  
998.2 / 3

: 10

DIN W.-Nr. 1.4301  
AISI 304

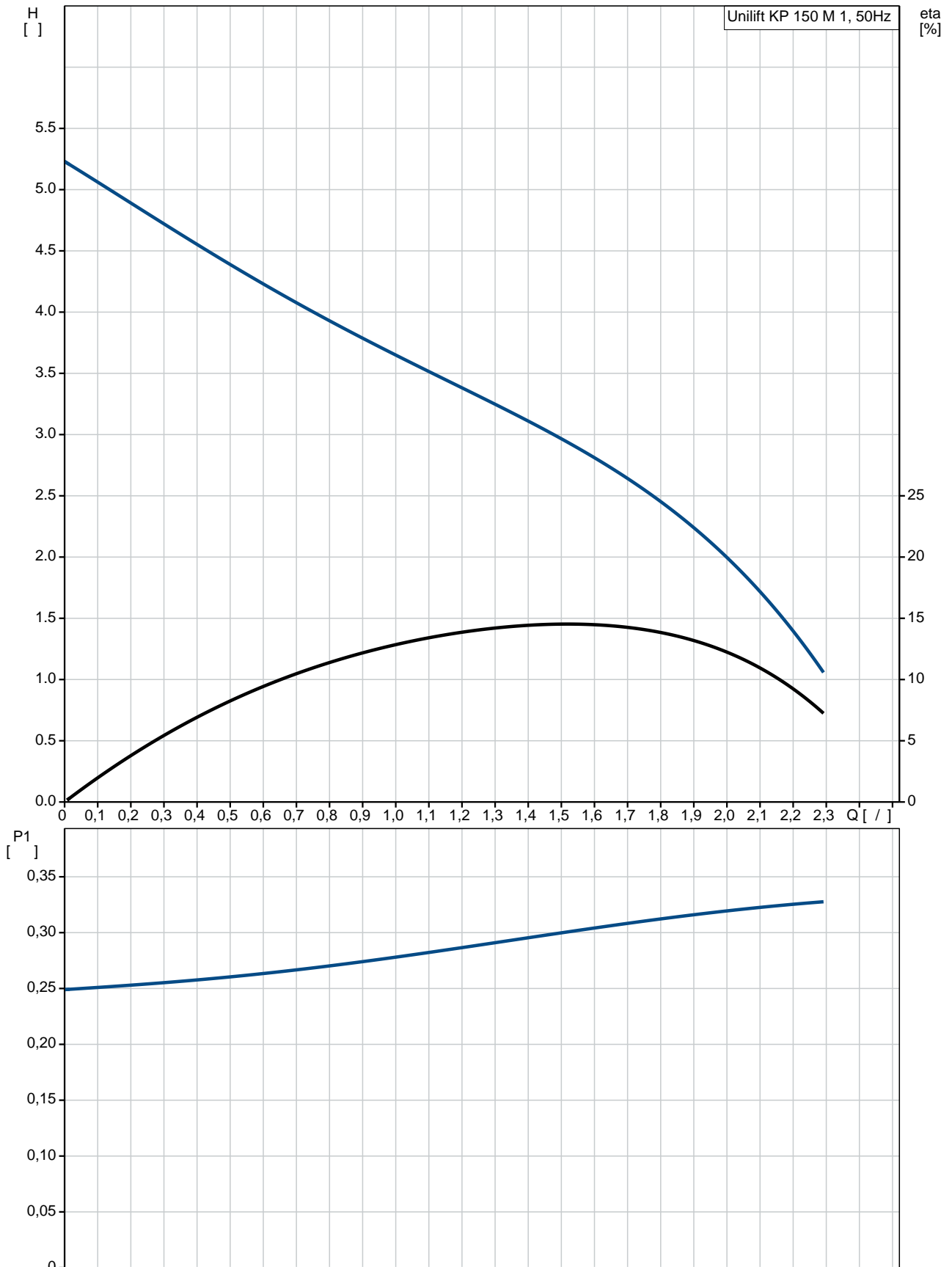
DIN W.-Nr. 1.4031  
AISI 304

Rp 1 1/4  
: 7

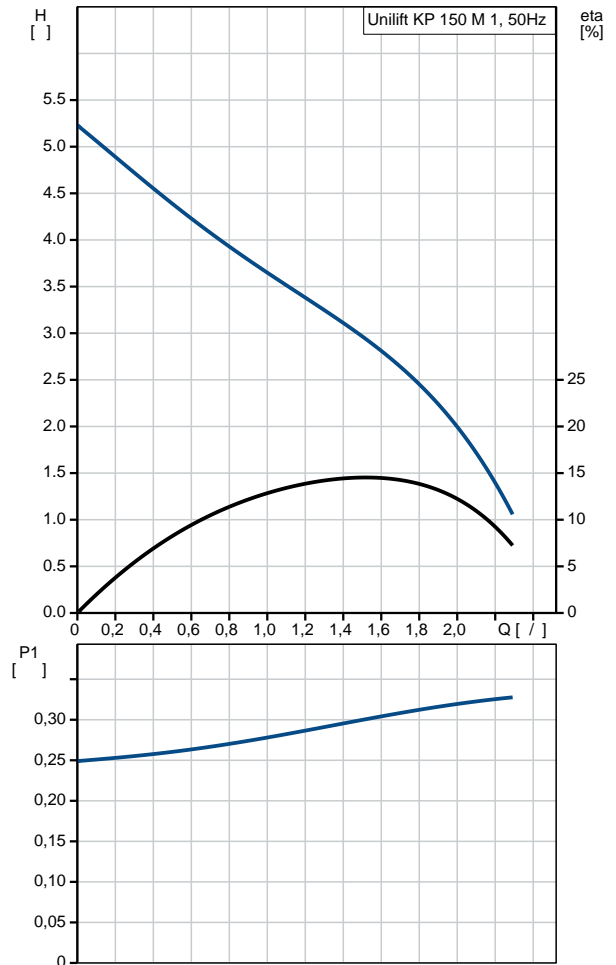
- P1: 300  
: 50 Hz  
: 1 x 220-230  
: 1.3 A  
: 8 /400  
(IEC 34-5): IP68  
(IEC 85): F  
: 10  
: SCHUKO

6.5  
: 6.5  
: 0.013 <sup>3</sup>  
Danish VVS No.: 391214015  
Swedish RSK No.: 5885708  
Finnish LVI No.: 4822501  
Norwegian NRF no.: 9040792  
C : HU  
: 8413702100

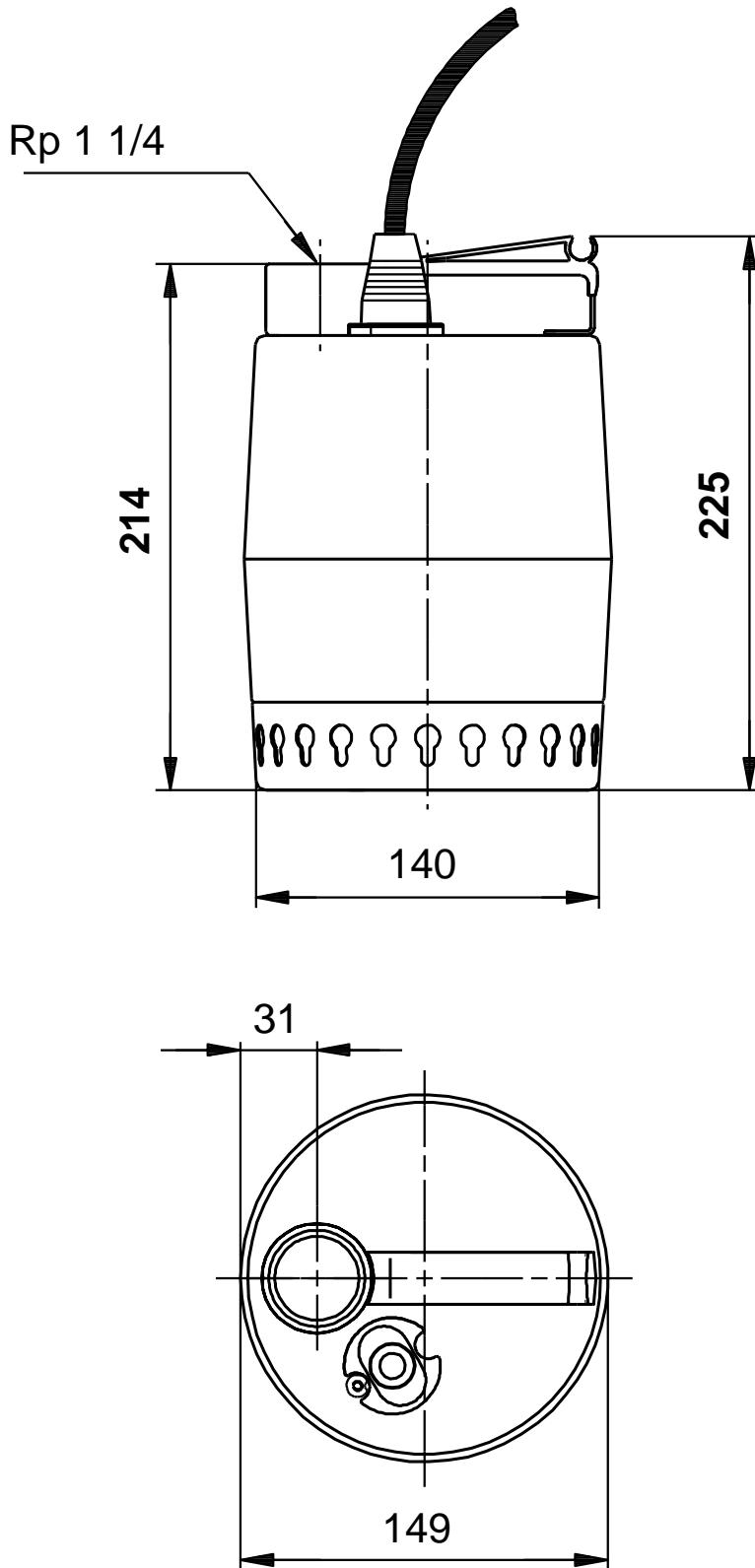
## 011H1300 Unilift KP 150 M 1 50



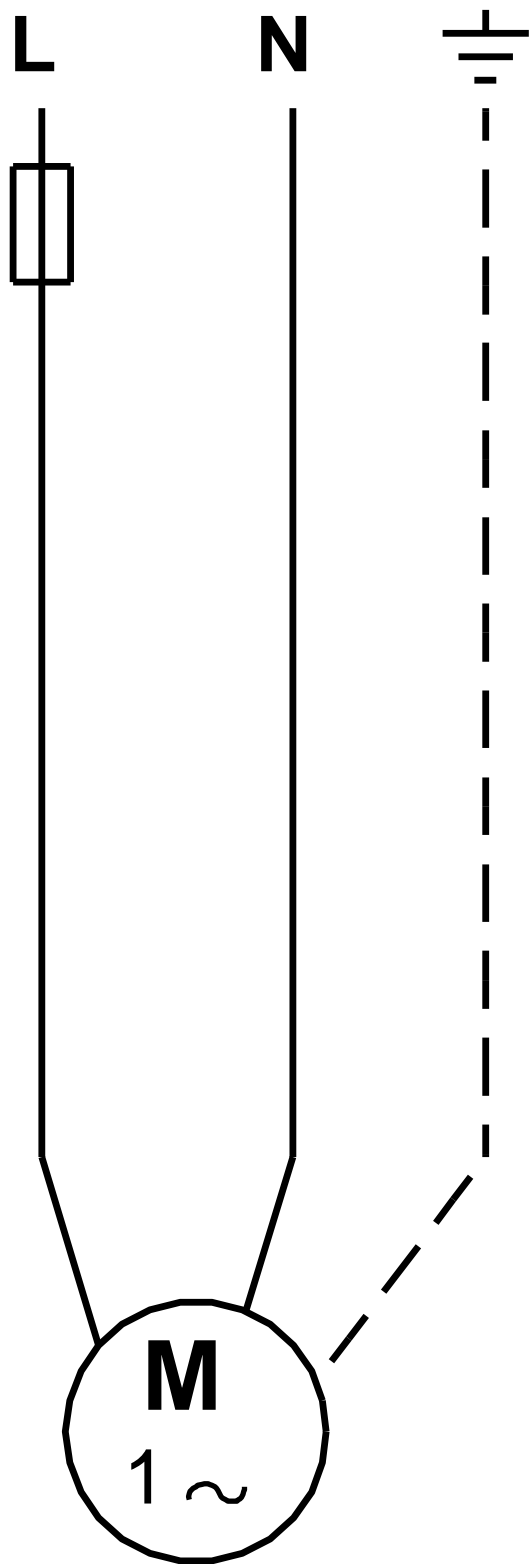
	Unilift KP 150 M 1
	011H1300
EAN	5700391115400
	UER 194
Maximum flow:	2.36 /
Ma	2.36 /
	5.5
	10
	A
	DIN W.-Nr. 1.4301
	AISI 304
	DIN W.-Nr. 1.4031
	AISI 304
	Rp 1 1/4
	7
	0 .. 50 °C
	998.2 / <sup>3</sup>
	- P1: 300
	50 Hz
	1 x 220-230
	1.3 A
	8 /400
	(IEC 34-5): IP68
	(IEC 85): F
	CONTACT
	10
	SCHUKO
	6.5
	6.5
	0.013 <sup>3</sup>
Danish VVS No.:	391214015
Swedish RSK No.:	5885708
Finnish LVI No.:	4822501
Norwegian NRF no.:	9040792
C	HU
	8413702100



## 011H1300 Unilift KP 150 M 1 50



**011H1300 Unilift KP 150 M 1 50**



! [ ], .